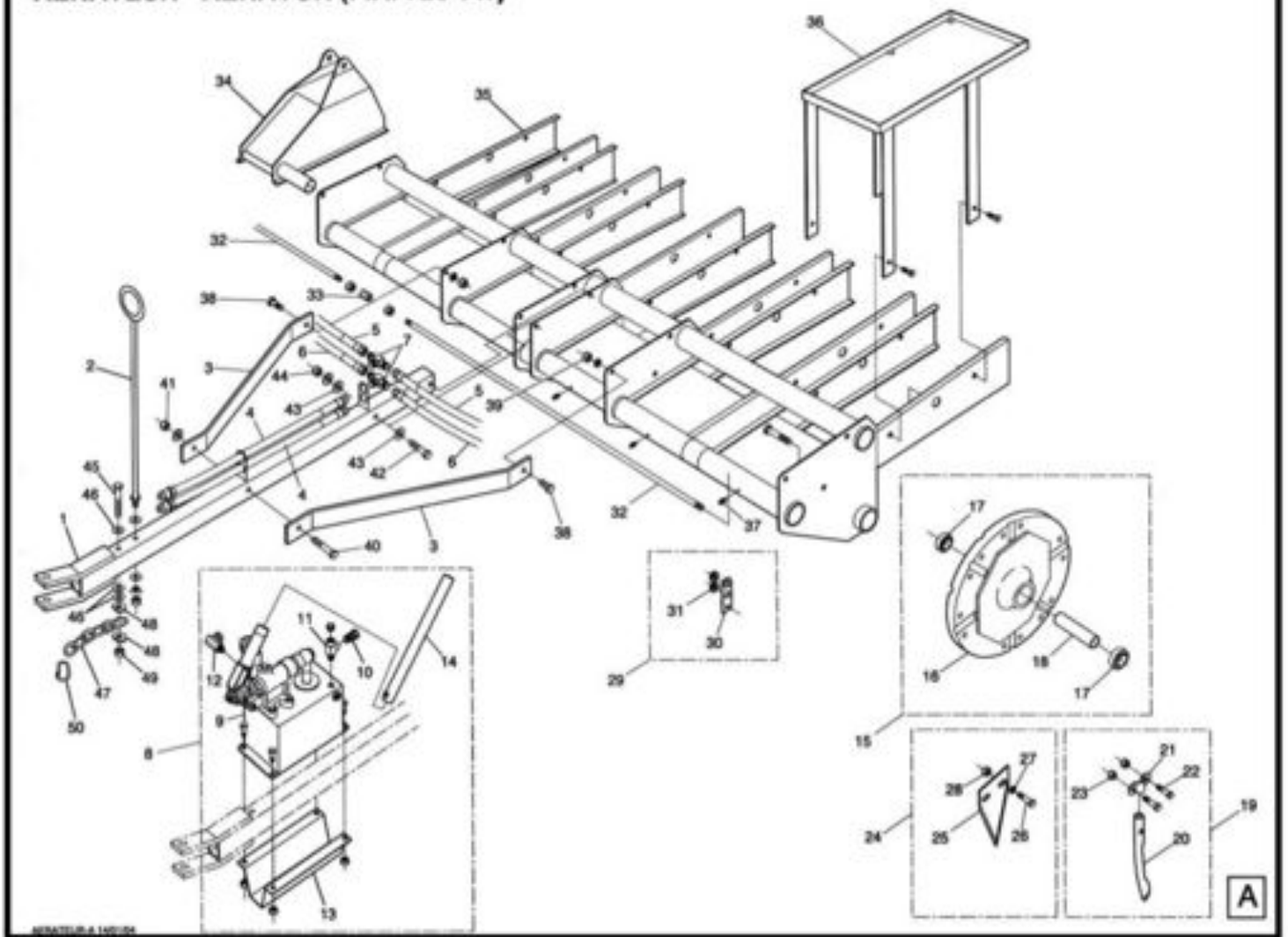


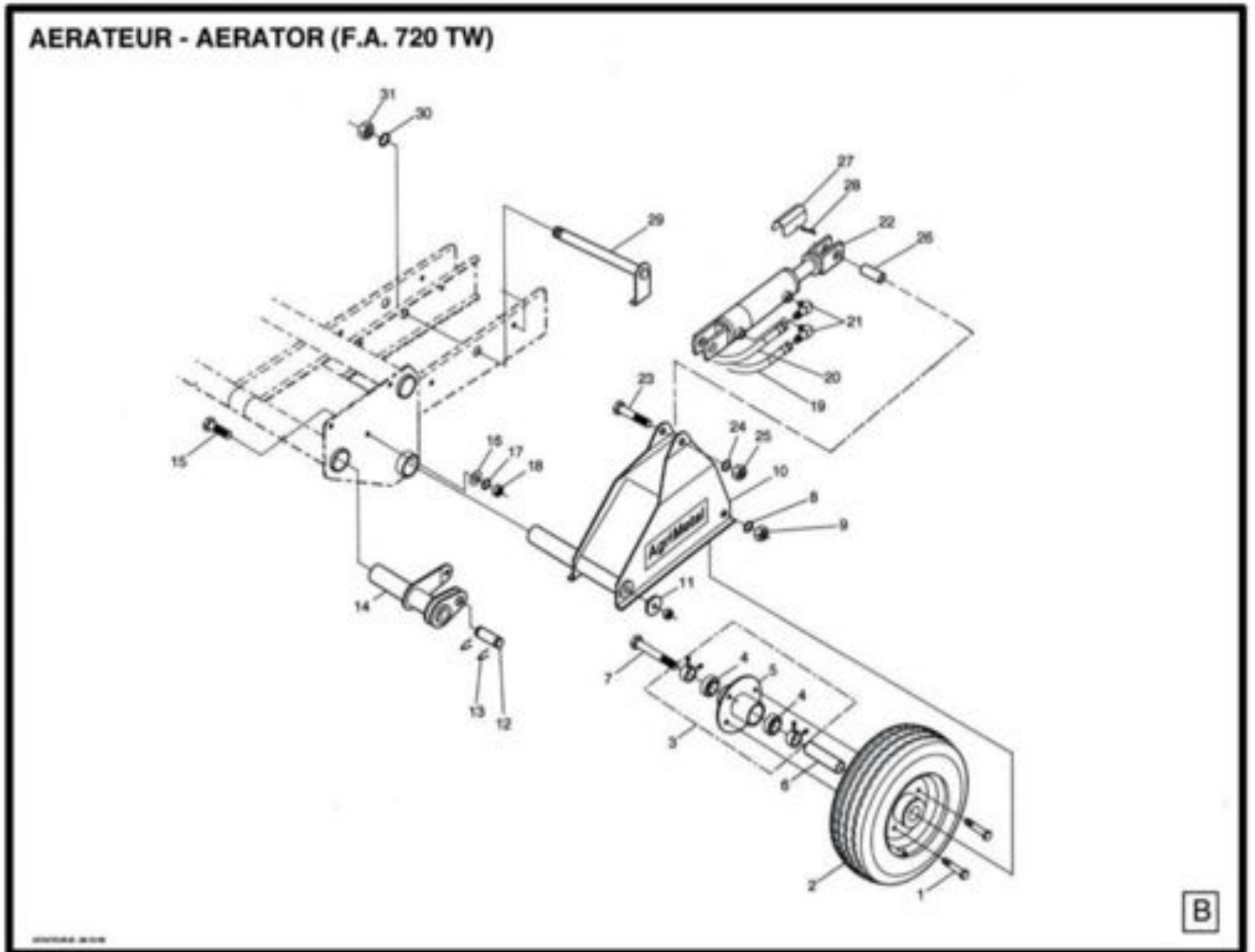
# AERATEUR - AERATOR (F.A. 720 TW)



Id	Number	Description	Qty
1	21A50-0005	DRAW BA	1
2	21A50-0050	HYDRAULIC HOSE SUPPOR	1
3	21A05-2010	DRAW BAR SUPPOR	2
4	21A55-0150	HYDRAULIC HOSE 3/8" Dia. ASSY. (TRACTOR	2
4	21A55-0110	HYDR.HOSE 3/8-H ASSY. 3/8-18 MALE RIG.X 1/2-14 MALE RIG.X 72" L	2
4	13C45-0014	QUICK DISCON.COUPLER 1/2 NP	2
5	21A55-0130	HYDR.HOSE 3/8-H ASSY. 3/8-18 MALE RIG.X 3/8-18 MALE SWI.X 56" L	2
6	21A55-0115	HYDR.HOSE 3/8-H ASSY. 3/8-18 MALE RIG.X 3/8-18 MALE SWI.X 50" L	2
7	13C45-0034	T 3/8 FEM. NPT X 3/8 FEM. NPT X 3/8 FEM. NP	2
8	21A55-0140	HAND PUMP MANUAL ASSY	1
9	13C45-0090	HAND PUMP MANUA	1

10	13C45-0091	UNION 1/2 MÂLE NPT X 1/2 FEM. TOUR. NPS	1
11	13C45-0092	T 1/2 FEM. NPT X 1/2 MÂLE NPT X 1/2 FEM. NP	1
12	13C45-0093	ELBOW 90° 1/2 FEMELLE TOUR.NPT X 3/8 MÂLE NP	1
13	21A01-7515	MANUAL HYDRAULIC PUMP SUPPOR	1
14	21A55-0175	HYDRAULIC PUMP HANDLE ASSY. " HARDWARE INCLUDED\	1
15	21A55-0000	CAST IRON WHEEL ASSY	12
16	21A43-0000	CAST IRON WHEE	12
17	21A38-0135	BALL BEARING SCA 205-16 Ø 1\	24
18	21A09-0200	SPACER BALL BEARING 1 1/4" X 1.001" X 3.310" L	12
19	21A75-0014	CORING TINE 3/4" CLOSED "NUT AND BOLT INCLUDED\	96
20	13C20-0007	CORING TINE, 3/4" CLOSE	96
21	21A04-0040	SPOON'S HOLDE	96
22	21A75-0032	HEX.BOLTS (GRADE 5) 7/16"-20 X 2 1/4" L	192
23	21A75-0031	LOCKNUTS 7/16"-2	192
24	21A75-0013	SLICING BLADE "NUT AND BOLT INCLUDED\	96
25	13C20-0009	SLICING BLAD	96
26	21A75-0033	HEX.BOLT (GRADE 5) 7/16"-20 X 2 1/2" L	192
27	01A01-0925	FLAT WASHER 1 1/64" Dia. X Ø 33/64" X 10G	192
28	21A75-0031	LOCKNUTS 7/16"-2	192
29	21A55-0075	HYDRAULIC HOSE HOLDER ASSY	4
30	21A01-2405	HYDRAULIC HOSE HOLDE	4
31	13C15-0014	RUBBER GROMMET	12
32	21A13-0600	WHEEL SUPPORT RO	2
33	01C90-0007	COUPLING NUT HEX.1/2"-13 X 1 3/4" L	1
34	21A50-0040	RIGHT WHEEL SUPPOR	1
35	21A50-0035	AERATOR FRAME (F.A.720	1
36	21A50-0015	WEIGHT TRAY	6
37	01C69-0785	GREASE FITTING 1/4"-28 (STRAIGHT	8
38	21A75-0060	HEX.BOLT 1/2"-20 X 1 1/2" LG (GRADE 5	2
39	21A75-0061	HEX.NUT 1/2"-2	2
40	21A75-0062	HEX.BOLT 1/2"-20 X 3 1/2" LG (GRADE 5	1
41	21A75-0061	HEX.NUT 1/2"-2	1
42	21A75-0062	HEX.BOLT 1/2"-20 X 3 1/2" LG (GRADE 5	2
43	01A01-0925	FLAT WASHER 1 1/64" Dia. X Ø 33/64" X 10G	4

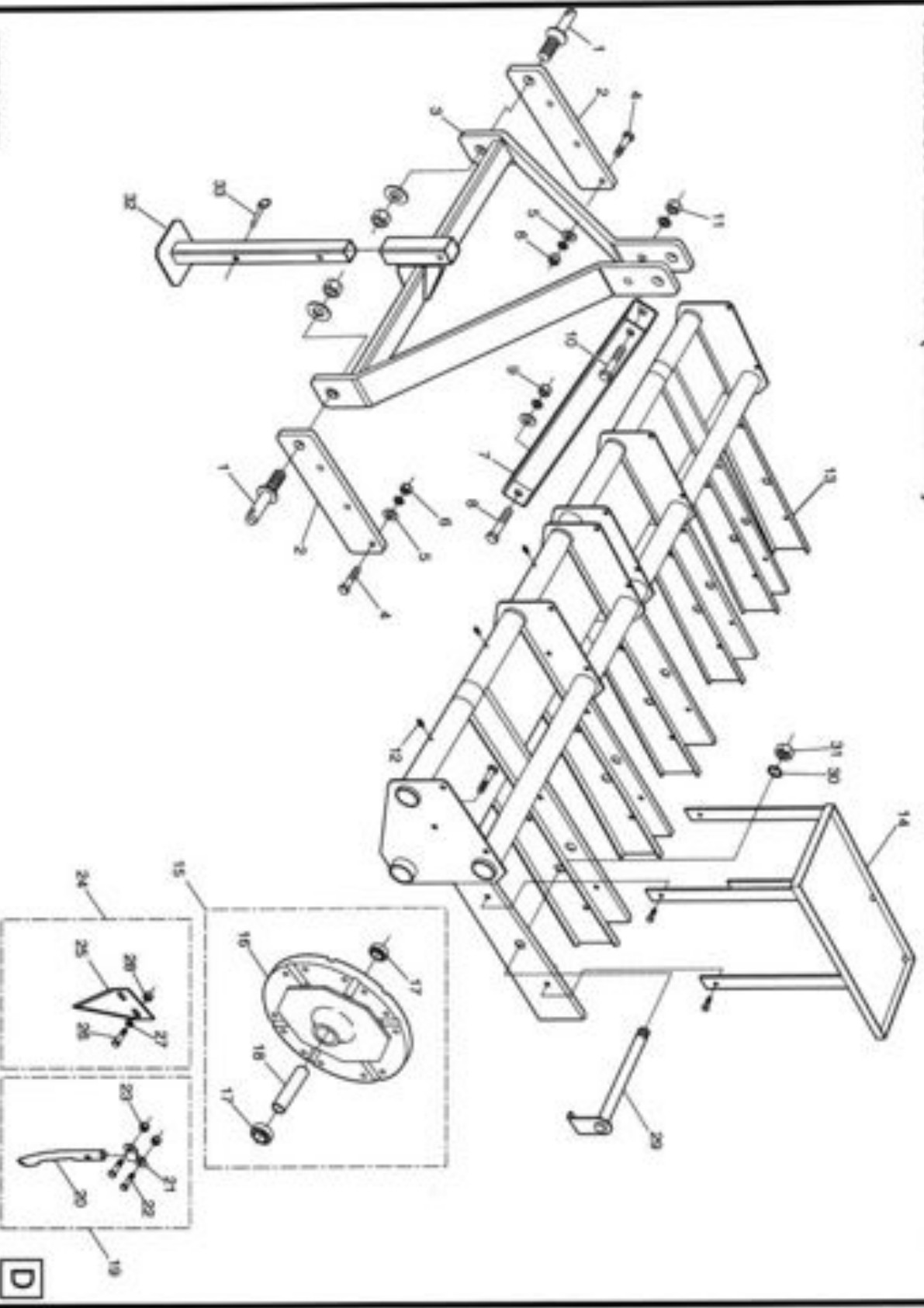
44	21A75-0061	HEX.NUT 1/2"-2	2
45	21A75-0078	HEX.BOLT 1/2"-20 X 3 3/4" LG (GRADE 5	1
46	01A01-0925	FLAT WASHER 1 1/64" Dia. X Ø 33/64" X 10G	3
47	21A75-0082	SAFETY CHAI	1
48	21A75-0076	FLAT WASHER 1 1/64" Dia. X Ø 33/64" (SPECIAL	2
49	21A75-0077	NYLON INSERT LOCKNUTS 1/2"-2	1
50	01C75-0015	RAPID LINK 5/16\	1



Id	Number	Description	Qty
1	21A75-0063	WHEEL BOLT 1/2"-20 X 1 5/8" LG (GRADE 5	8
2	14C70-0061	ROAD TRACTION WHEEL 6 PLYES X 16" Dia. ASSY	2
2	14C70-0064	ROAD TRACTION TIRE 6 PLIE	2

2	14C70-0056	RIM 851-	2
2	14C70-0045	TUBE 400-	2
3	21A55-0020	WHEEL HUB ASSY	2
4	14C75-0084	BALL BEARING SCA 205-16 Ø 1\	4
5	21A50-0000	HU	2
6	21A09-1200	WHEEL AXLE BUSHING .999" X .751" X 5.750" L	2
7	01C17-0483	HEX.BOLT 3/4"-10 X 7" LONG (GRADE 2	2
8	02C32-0017	LOCK WASHER Ø 3/4\	2
9	02C07-0023	HEX.NUT 3/4"-1	2
10	21A50-0045	LEFT WHEEL SUPPOR	1
11	21A13-2800	STOPPE	2
12	13C45-0088	PI	2
13	13C45-0087	HAIRPIN COTTER	4
14	21A50-0030	HYDRAULIC CYLINDRE SUPPOR	2
15	01C17-0394	HEX. BOLT 5/8"-11 X 1 1/2" LONG (GRADE 2	2
16	02C22-0014	FLAT WASHER 1 1/2" Dia. X Ø 5/8" X 3/32\	2
17	02C32-0016	LOCK WASHER Ø 5/	2
18	02C07-0022	HEX. NUT 5/8"-1	2
19	21A55-0115	HYDR.HOSE 3/8-H ASSY. 3/8-18 MALE RIG.X 3/8-18 MALE SWI.X 50" L	2
20	21A55-0130	HYDR.HOSE 3/8-H ASSY. 3/8-18 MALE RIG.X 3/8-18 MALE SWI.X 56" L	2
21	13C45-0038	ELBOW 90° 3/8 FEM.NPT X 3/8 MALE NP	4
22	13C45-0076	HYDRAULIC CYLINDE	2
23	01C17-0475	HEX.BOLT 3/4"-10 X 3 1/2" LG (GRADE 2	2
24	02C32-0017	LOCK WASHER Ø 3/4\	2
25	02C07-0023	HEX.NUT 3/4"-1	2
26	21A09-1205	BUSHING 1" X 3/4" X 2 1/4" L	2
27	21A50-0010	HYDRAULIC CYLINDRER STOPPE	2
28	01C63-0027	HITCH PIN CLIPS 7/32" X 4 1/8" L	2
29	21A50-0020	AXL	6
30	02C32-0019	LOCK WASHERS Ø 1\	2
31	02C10-0025	HEX. NUT 1"-1	2

AERATEUR - AERATOR (F.A. 720 TP)



ARMANDO TESTA

Id	Number	Description	Qty
1	01C78-0002	HITCH PI	2
2	21A75-0067	TRIANGLE SUPPOR	2
3	21A75-0068	TRIANGL	1
4	21A75-0060	HEX.BOLT 1/2"-20 X 1 1/2" LG (GRADE 5	6
5	01A01-0925	FLAT WASHER 1 1/64" Dia. X Ø 33/64" X 10G	6
6	21A75-0061	HEX.NUT 1/2"-2	6
7	21A75-0069	TRIANGLE TUB	1
8	21A75-0070	HEX.BOLT 5/8"-18 X 3 1/2" LG (GRADE 5	1
9	21A75-0071	HEX.NUT 5/8"-1	1
10	21A75-0072	HEX.BOLT 5/8"-18 X 4" LG (GRADE 5	1
11	21A75-0071	HEX.NUT 5/8"-1	1
12	01C69-0785	GREASE FITTING 1/4"-28 (STRAIGHT	6
13	21A50-0035	AERATOR FRAME (F.A.720	1
14	21A50-0015	WEIGHT TRAY	6
15	21A55-0000	CAST IRON WHEEL ASSY	12
16	21A43-0000	CAST IRON WHEE	12
17	21A38-0135	BALL BEARING SCA 205-16 Ø 1\	24
18	21A09-0200	SPACER BALL BEARING 1 1/4" X 1.001" X 3.310" L	12
19	21A75-0014	CORING TINE 3/4" CLOSED "NUT AND BOLT INCLUDED\	96
20	13C20-0007	CORING TINE, 3/4" CLOSE	96
21	21A04-0040	SPOON'S HOLDE	96
22	21A75-0032	HEX.BOLTS (GRADE 5) 7/16"-20 X 2 1/4" L	192
23	21A75-0031	LOCKNUTS 7/16"-2	192
24	21A75-0013	SLICING KNIFE "NUT AND BOLT INCLUDED\	96
25	13C20-0009	SLICING BLAD	96
26	21A75-0033	HEX.BOLT (GRADE 5) 7/16"-20 X 2 1/2" L	192
27	01A01-0925	FLAT WASHER 1 1/64" Dia. X Ø 33/64" X 10G	192
28	21A75-0031	LOCKNUTS 7/16"-2	192
29	21A50-0020	AXL	6
30	02C32-0019	LOCK WASHERS Ø 1\	6
31	02C10-0025	HEX. NUT 1"-1	6
32	21A75-0074	HITCH SUPPORT (FA 720	1
33	21A75-0073	QUICK RELEASE PIN 3/8" Dia	1