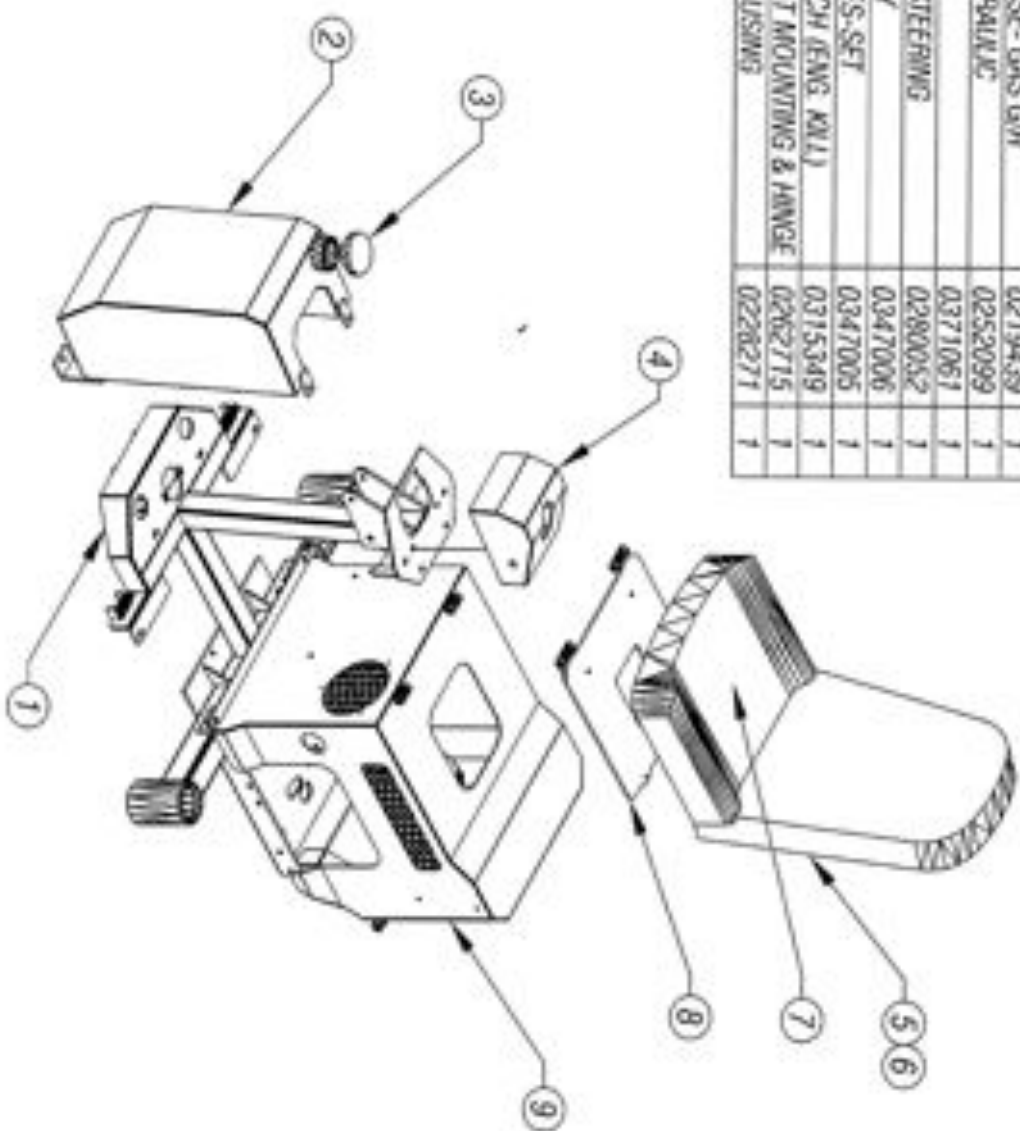


COMPLETE GAS GREENS ROLLER - DWG # 1

ISSUED: 07-15-2008

ITEM	DESCRIPTION	PART NO	QTY
1	FRAME BASE - GAS GIR	0219439	1
2	TANK, HYDRAULIC	0252099	1
3	FUEL CAP	0371061	1
4	BOX TR / STEERING	0298002	1
5	SEAT - ONLY	0347006	1
6	SEAT SLIDES-SET	0347005	1
7	SEAT SWITCH (ENG. KILL)	0315349	1
8	PLATE, SEAT MOUNTING & HANGE	0262715	1
9	ENGINE HOUSING	0228271	1

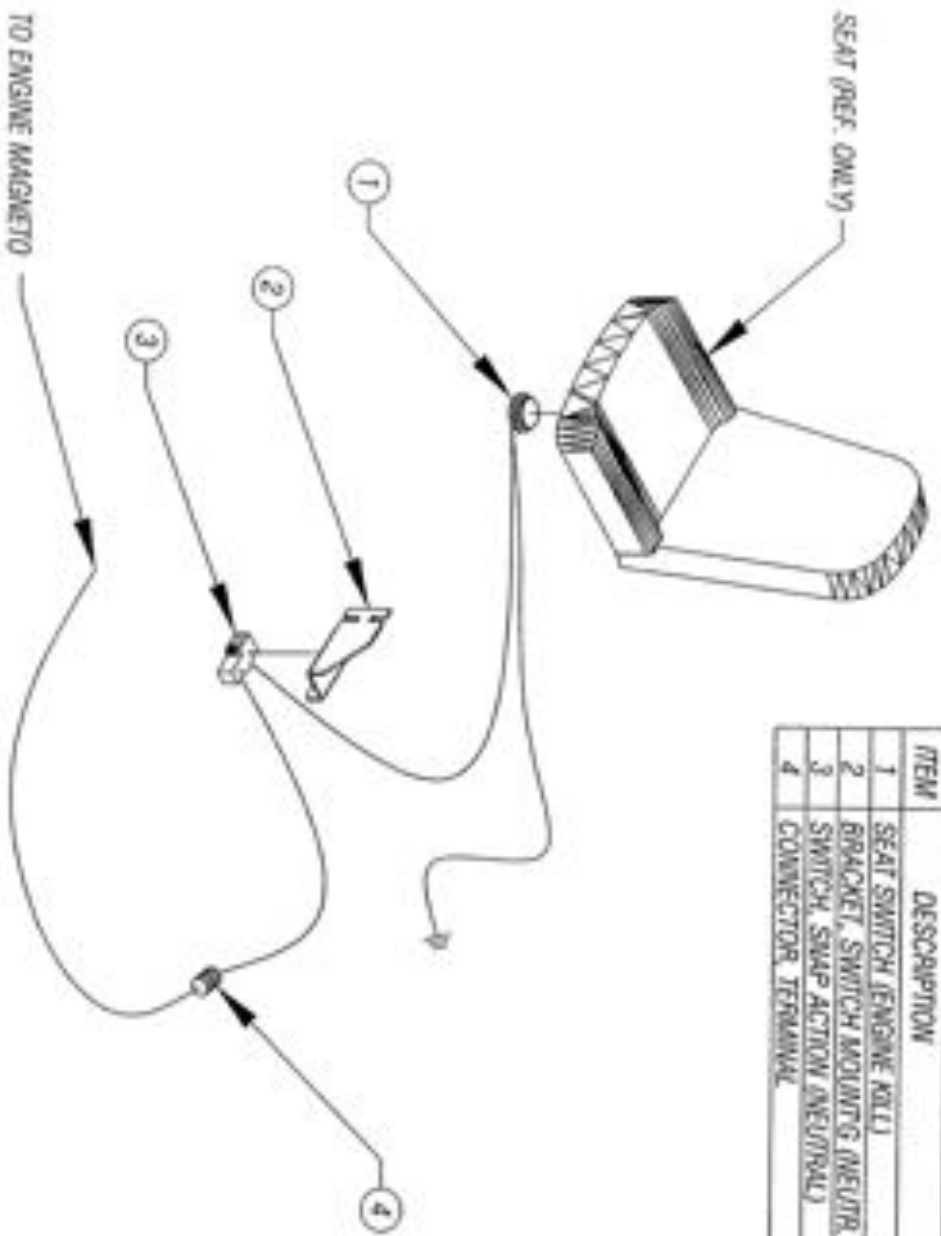


ISSUED: 07-15-2009

GAS GREENS ROLLER - DWG #2

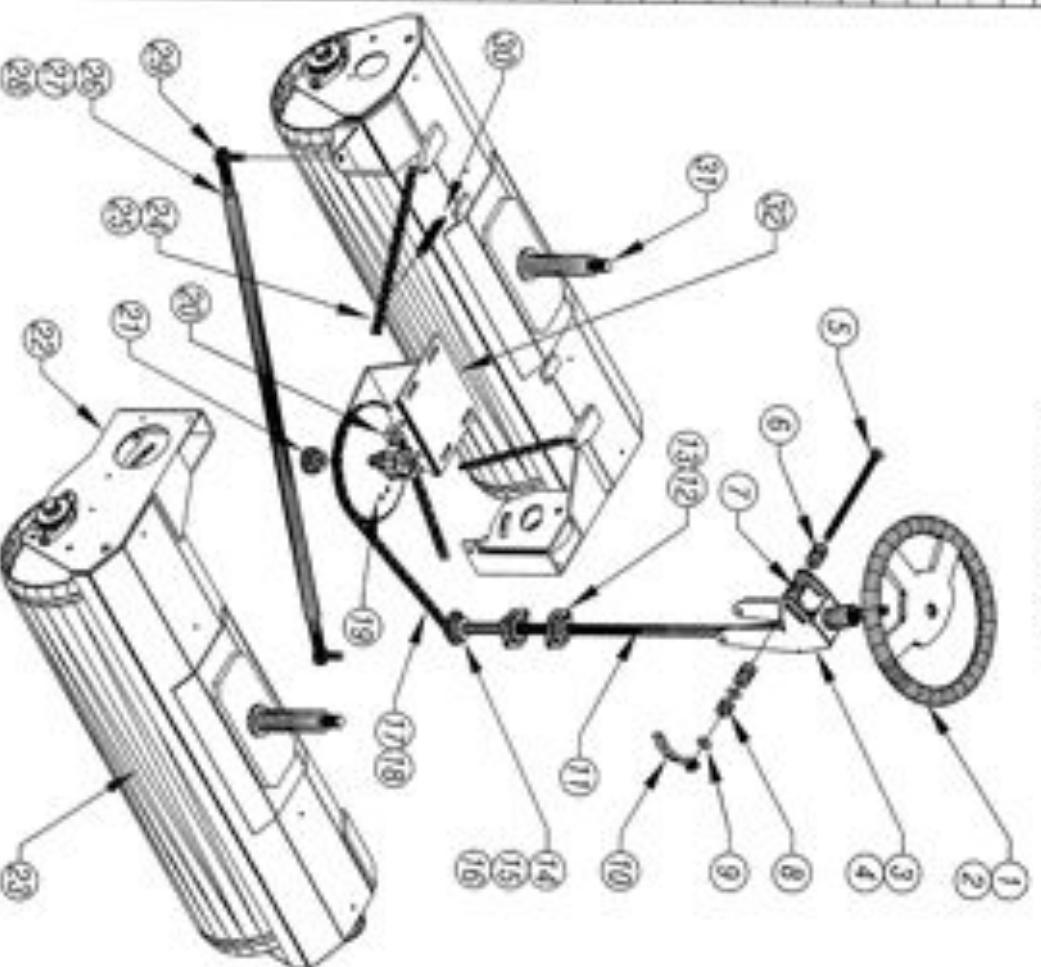
ISSUED: 11-20-2008

ITEM	DESCRIPTION	PART NO.	QTY
1	SEAT SWITCH (ENGINE KILL)	0315349	1
2	BRACKET, SWITCH MOUNTING (NEUTR.)	0408978	1
3	SWITCH, SWAP ACTION (NEUTRAL)	0315375	1
4	CONNECTOR, TERMINAL	0315354	1



ISSUED: 07-15-2008

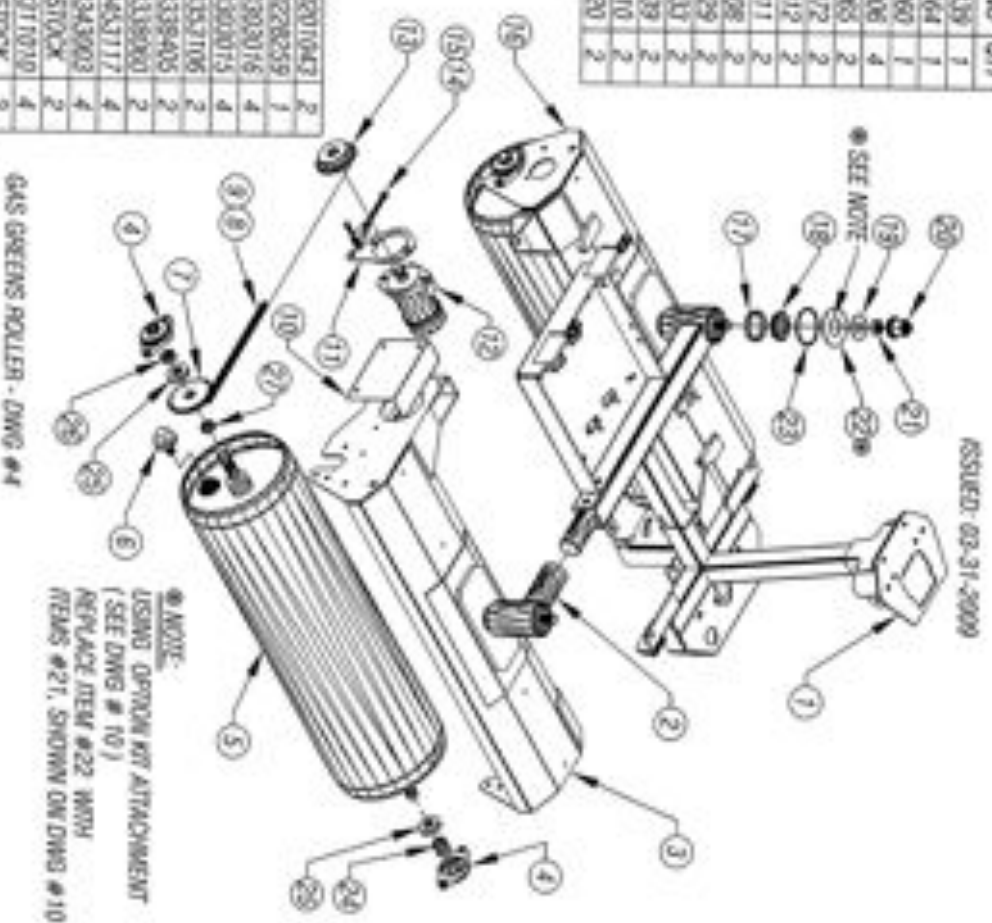
ITEM	DESCRIPTION	PART NO	QTY
1	STEERING WHEEL	0336052	1
2	CAP STEERING WHEEL	0336124	1
3	ARM, TILT WHEEL STERNG PIVOI	0265113	1
4	BUSHING, ORLLITE	0307036	2
5	CARRIAGE BOLT	0346456	1
6	DOM TUBE - 1" OD X 1/4 WALL X 1.515 LG		2
7	DOM TUBE - 1" OD X 1/4 WALL X 2.500 LG		1
8	DOM TUBE - 1" OD X 1/4 WALL X .875		1
9	WASHER, FLAT - LHMW	0353333	2
10	EASY GRIP HANDLE - (1/2 - 13)	0323142	1
11	FLEXIBLE SHAFT	0348279	1
12	FLANGETTE, (2) BOLT	0303005	4
13	BEARING INSERT - 3/4 ID	0303023	2
14	SPROCKET, STEERING SHAFT	0351003	1
15	KEY - 3/16 SQ X 1" LONG	0431004	1
16	COLLAR, SET	0317006	1
17	ROLLER CHAIN, #40X103LINKS	0309012	1
18	CONNECTING LINK #40	0309006	1
19	SPROCKET & SHAFT	0251014	1
20	PULLW BLOCK	0303024	2
21	BEARING INSERT	0303023	2
22	HOUSING, ROLLER-OSCILLATING	0228280	1
23	SHAFT/ROLLER	0246065	2
24	ROLLER CHAIN, #50 (680) LINKS	0309013	1
25	CONNECTING LINK #50	0309008	2
26	TIE ROD	0245008	1
27	JAM NUT, 1/2 - 20	0338058	2
28	LOCK WASHER	0353015	2
29	ROD END	0303017	2
30	EXTENSION SPRING	0350009	2
31	HOUSING, ROLLER - STEERING	0228259	1
32	BRACKET, STEERING SPROCKET	0206120	1



GAS GREENS ROLLER - DWG #3

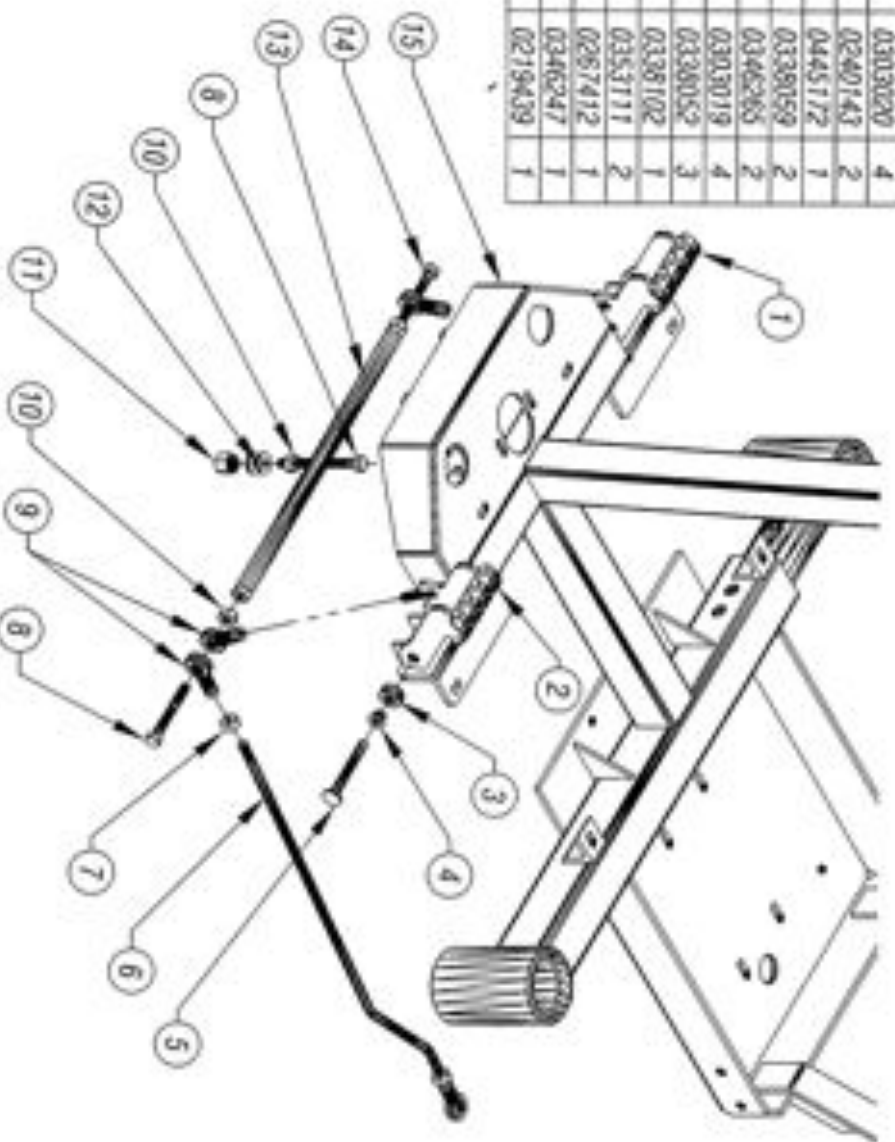
ITEM	DESCRIPTION	PART NO.	QTY
1	FRAME BASE	0219439	1
2	HOUSING, OSCILLATOR	0228164	1
3	HOUSING ROLLER-OSCILLATING	0228200	1
4	WASHER, 2-BOLT FLANGE	0303006	4
5	WASHER ROLLER	0248005	2
6	PLUG, 3/4 INPT	0317072	2
7	SPROCKET, ROLL	0351019	2
8	CHAIN, #50, 52 LINKS (ROLL)	0309071	2
9	CONNECTING LINK #50	0309008	2
10	GUARD AND MOTOR DRIVE	0421029	2
11	SPACER, HYDRAULIC MOTOR	0449233	2
12	HYDRAULIC MOTOR	0330129	2
13	SPROCKET AND MOTOR	0351010	2
14	ROCK KIT	0374020	2

15	ADJUSTER MOTOR CHAIN PINS	0201042	2
16	HOUSING, ROLLER STEERING	0228259	1
17	BEARING CUP	0303016	4
18	CONE BEARING	0303015	4
19	FLAT WASHER	0352106	2
20	CAP, LOG NUT	0338405	2
21	WASHER	0338000	2
22	NUT	0463117	4
23	O-RING, 2" ID	0343003	4
24	SPACER, STL-1 1/4 OD/1.8WALX 1.250	STOCK	4
25	COLLAR, SMALL SPURT	0317070	4
26	SPACER, STL-1 1/4 OD/1.8 WALK, 700	STOCK	2



ISSUED: 07-15-2008

ITEM	DESCRIPTION	PART NO	QTY
1	PEDAL FOOT - RIGHT	0268028	1
2	PEDAL FOOT - LEFT	0268029	1
3	COLLAR SET	0311031	2
4	BUSHING, FLGD- OILITE	0303020	4
5	PIN, FOOT PEDAL PIVOT	0240143	2
6	ROD, FORWARD/REVERSE	0445172	1
7	JAM NUT, 3/8-24	0338059	2
8	SCREW, HEX HEAD	0346265	2
9	ROD END	0303019	4
10	JAM NUT, 3/8-16	0338052	3
11	LOCK NUT, NYLON INSERT	0338102	1
12	FLAT WASHER	0353711	2
13	TUBE, STEERING	0267412	1
14	SCREW, HEX HEAD	0346247	1
15	FRAME, BASE	0219409	1

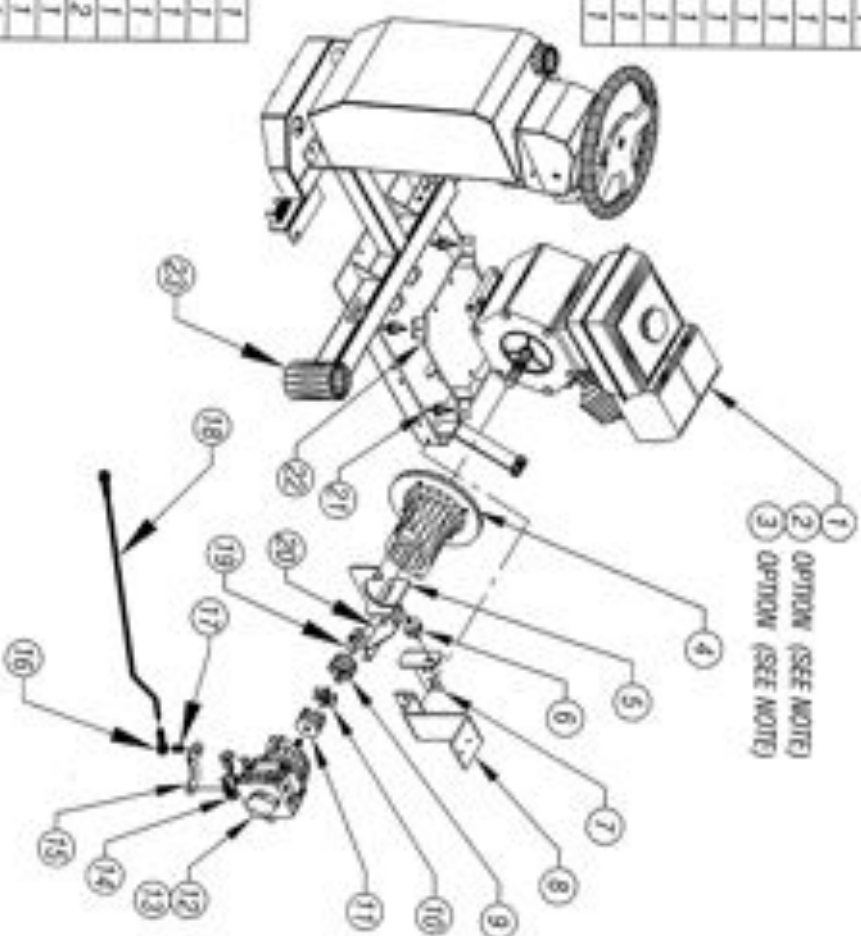


GAS GREENS ROLLER - DWG #5

ITEM	DESCRIPTION	PART NO	QTY
1	ENGINE, 9HP HONDA	0337021	1
2	ENGINE, 9HP HONDA-ELEC. START	0337036	1
3	ENGINE, 13HP HONDA-ELEC. START	0337033	1
4	BELL HOUSING	0328059	1
5	PUMP SUPPORT BRACKET	0477231	1
6	RUBBER MOUNT, VIBR DAMP'G	0378250	1
7	BRACKET, VIBRATION DAMPING	0405877	1
8	FILTER BRACKET	0205131	1
9	HUB, 1" BORE	0313003	1
10	SPACER COUPLING	0313004	1

NOTE:
9HP & 13HP HONDA - ELECTRIC START,
INCLUDES BATTERY COMPONENTS
SHOWN ON DWG #8

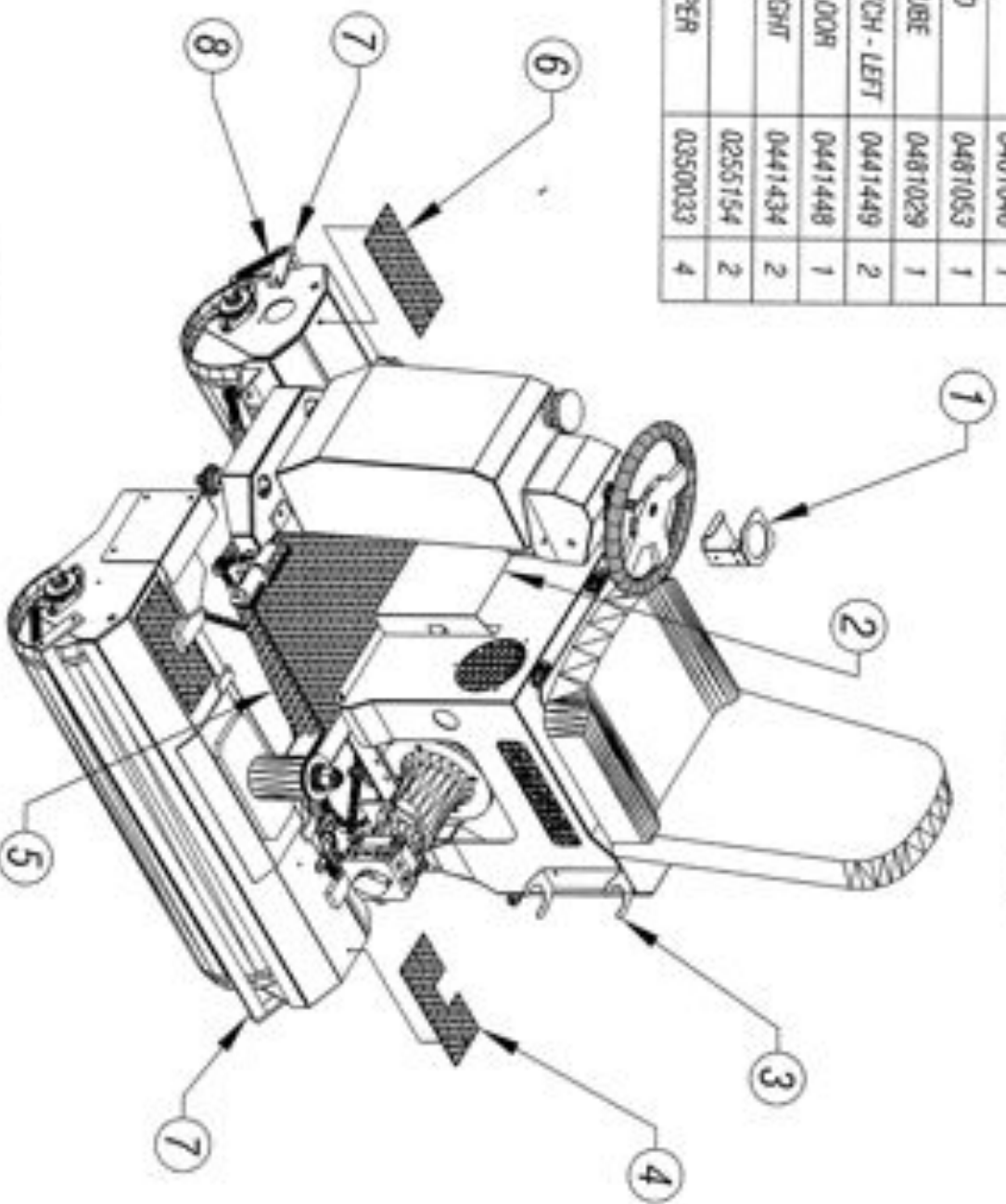
11	HUB, 15mm BORE	0313005	1
12	HYDRAULIC PUMP	0330146	1
13	SEAL KIT - HYDRAULIC PUMP	0330173	1
14	LINKAGE - RETURN TO NEUTRAL	0330175	1
15	LEVER, HYD PUMP- EXTENDED	0433209	1
16	ROD END	0330319	2
17	SPACER, STL-3/8 ID X 5/8 OD X 11/16 STROKE		1
18	ROD, FORWARD / REVERSE	0445172	1
19	SWITCH, SWAP ACTION (NEUTRAL)	0315375	1
20	SWITCH, SWITCH MOUNT'G (NEUTRAL)	0400978	1
21	RUBBER MOUNT	0276319	4
22	PLATE, ENGINE MOUNT	0462462	1
23	FRAME, BASE	0219439	1



GAS GREENS ROLLER - DWG #6

ISSUED: 07-15-2008

ITEM	DESCRIPTION	PART NO	QTY
1	CAM HOLDER	0481046	1
2	HOLDER, CLIPBOARD	0481053	1
3	HOLDER, MANUAL TUBE	0481029	1
4	PLATE, DAMM WINOTCH - LEFT	0441449	2
5	PLATE, DIAMOND- FLOOR	0441448	1
6	PLATE, DIAMOND- RIGHT	0441434	2
7	SCRAPER, ROLL	0255154	2
8	SPRING, EXT. SCRAPER	0350033	4



GAS GREENS ROLLER - DWG #7

ITEM	DESCRIPTION	PART NO.	QTY
1	BOX, HEADLIGHT	02080014	2
2	HEADLIGHT LENS	0215126	2
3	RUB. HEADLIGHT	0215128	2
4	FRONTAL HEADLIGHT	0215137	2
5	LOGO, SPLT. 3/8 DIA	STOCK	1
6	MOUNT, BATTERY BOX	0270679	1
7	BATTERY BOX	0206063	1
8	COVER, BATTERY BOX	0480012	1
9	BATTERY, 12 VOLT	0206008	1
10	CONNECTOR, BATTERY WIRE	0215083	4
11	WIRE, 14 GAUGE (BLACK)	STOCK	1

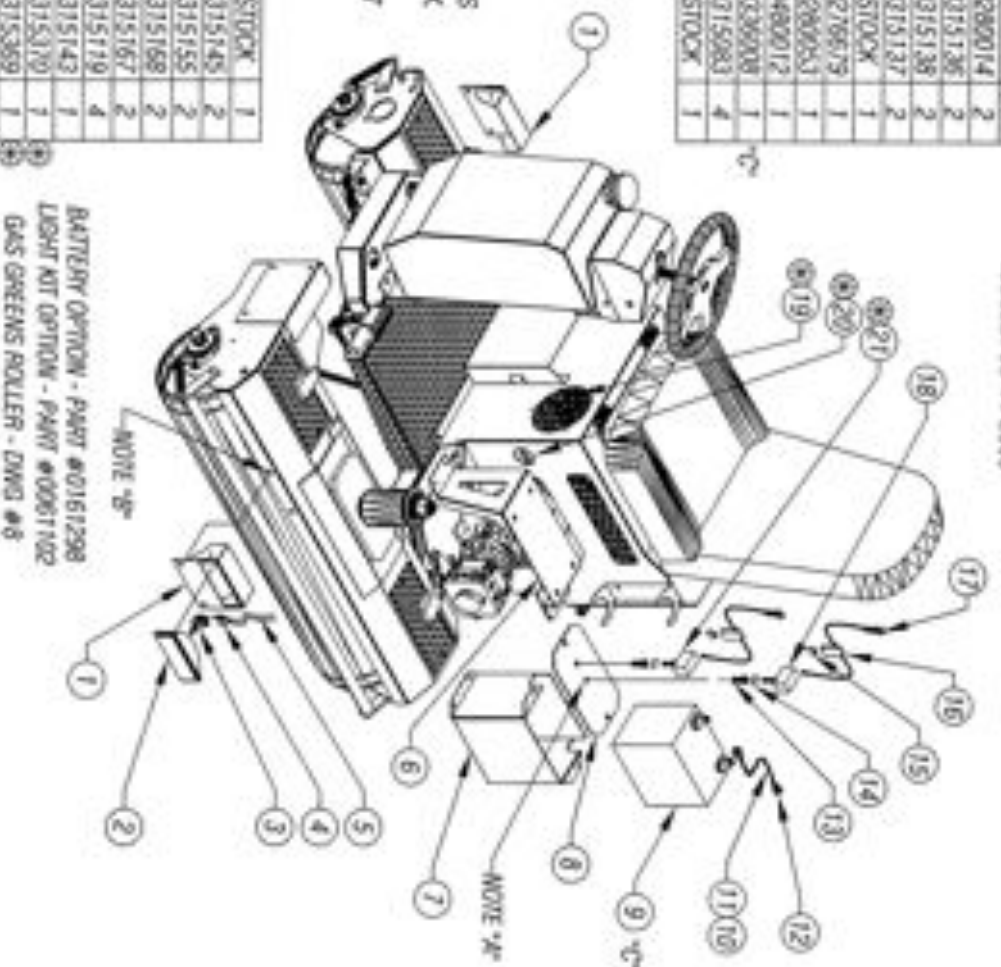
NOTE -A- : 1/2 DIA DRILL THRU FOR TOGGLE SWITCH LOCATE AS SHOWN.

NOTE -B- : 9/32 DRILL THRU (2) HOLES IN BOTH ROLL HOUS LOCATE FROM HEADLIGHT BOX

-C- : NOT INCLUDED - AFTER MARKET
 THIS ITEMS ARE STANDARD ON 13HP HONDA ENGINE ONLY

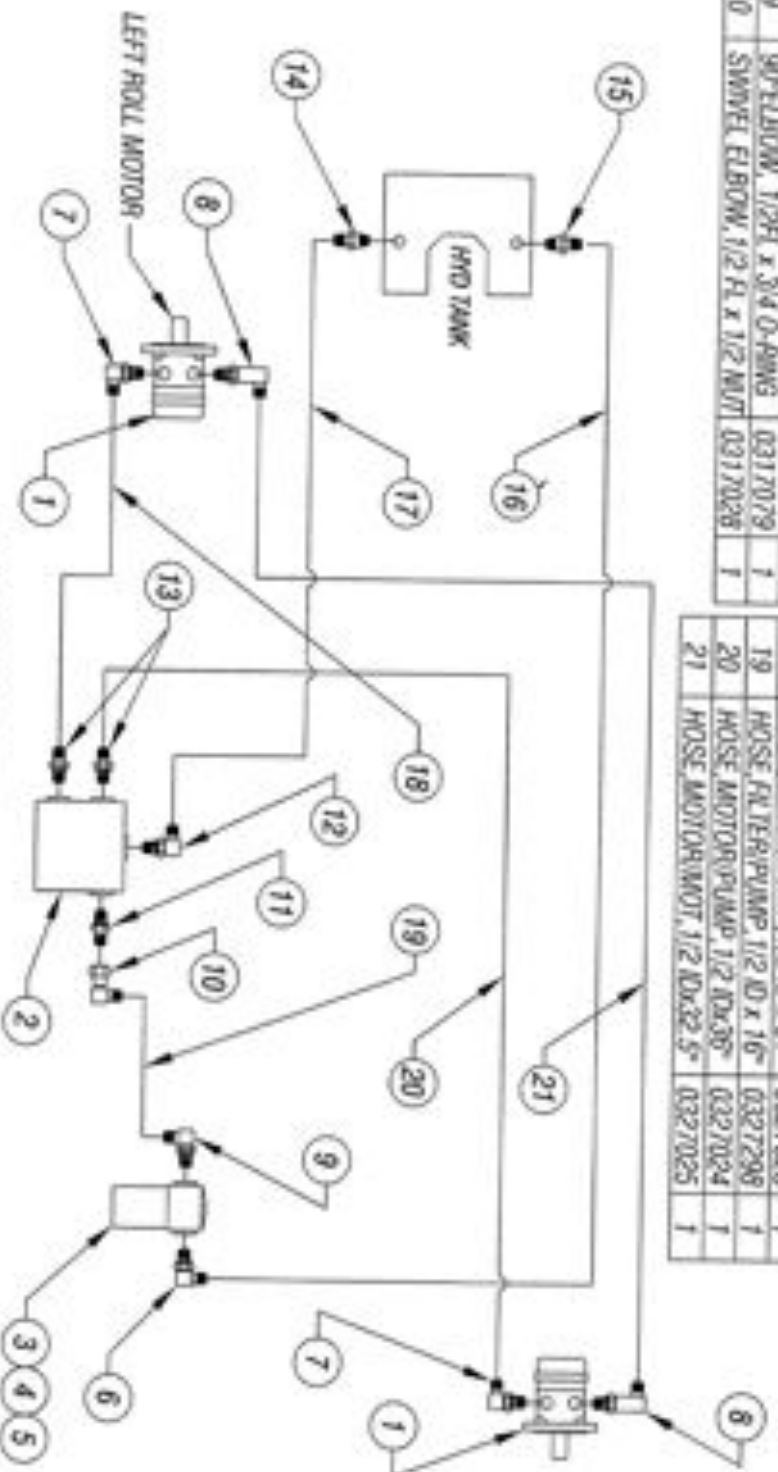
12	WIRE, 14 GAUGE (RED)	STOCK	1
13	BOOT, TOGGLE	0315145	2
14	PLATE, ON/OFF	0315155	2
15	FUSE, (W/LINK)	0315168	2
16	HOLDER, FUSE	0315167	2
17	CONNECTOR, SWITCH	0315119	4
18	SWITCH, TOGGLE	0315143	1
19	DC ELECTRIC FAN	0315110	1
20	HOUR METER	0315089	1
21	SWITCH, TOGGLE - FAN	0315090	1

ISSUED: 09-14-2009



ITEM	DESCRIPTION	PART NO	QTY
1	HYD DRIVE MOTOR	0330139	2
2	HYD PUMP	0330146	1
3	HYD FILTER HOUSING ONLY	0318039	1
4	HYD FILTER & HOUSING	0318022	1
5	OIL FILTER ELEMENT ONLY	0318923	1
6	90° ELBOW, 5/8FL X 3/4 O-RING	0317214	1
7	90° ELBOW, 1/2FL X 5/8 O-RING	0317008	2
8	90° ELB LONG, 1/2FL X 5/8 O-RING	0317250	2
9	90° ELBOW, 1/2FL X 3/4 O-RING	0317079	1
10	SWIVEL ELBOW, 1/2 FL X 1/2 NUT	0317026	1

ITEM	DESCRIPTION	PART NO	QTY
11	CONNECTOR, 1/2FL X 3/8 O-RING	0317066	1
12	90° ELBOW, 3/8 FL X 3/8 O-RING	0317029	1
13	CONNECTOR, 1/2 FL X 1/2 O-RING	0317030	2
14	CONNECTOR, 3/8 FL X 1/2 NUT	0317050	1
15	CONNECTOR, 5/8 FL X 1/2 NUT	0317062	1
16	HOSE, TANK/FILTER, 5/8 ID X 52"	0327026	1
17	HOSE, TANK/PUMP, 3/8 ID X 39"	0327313	1
18	HOSE, L-MOT/PUMP, 1/2 ID X 31"	0327028	1
19	HOSE, FILTER/PUMP, 1/2 ID X 16"	0327298	1
20	HOSE, MOTOR/PUMP, 1/2 ID X 36"	0327024	1
21	HOSE, MOTOR/MOT, 1/2 ID X 22.5"	0327025	1

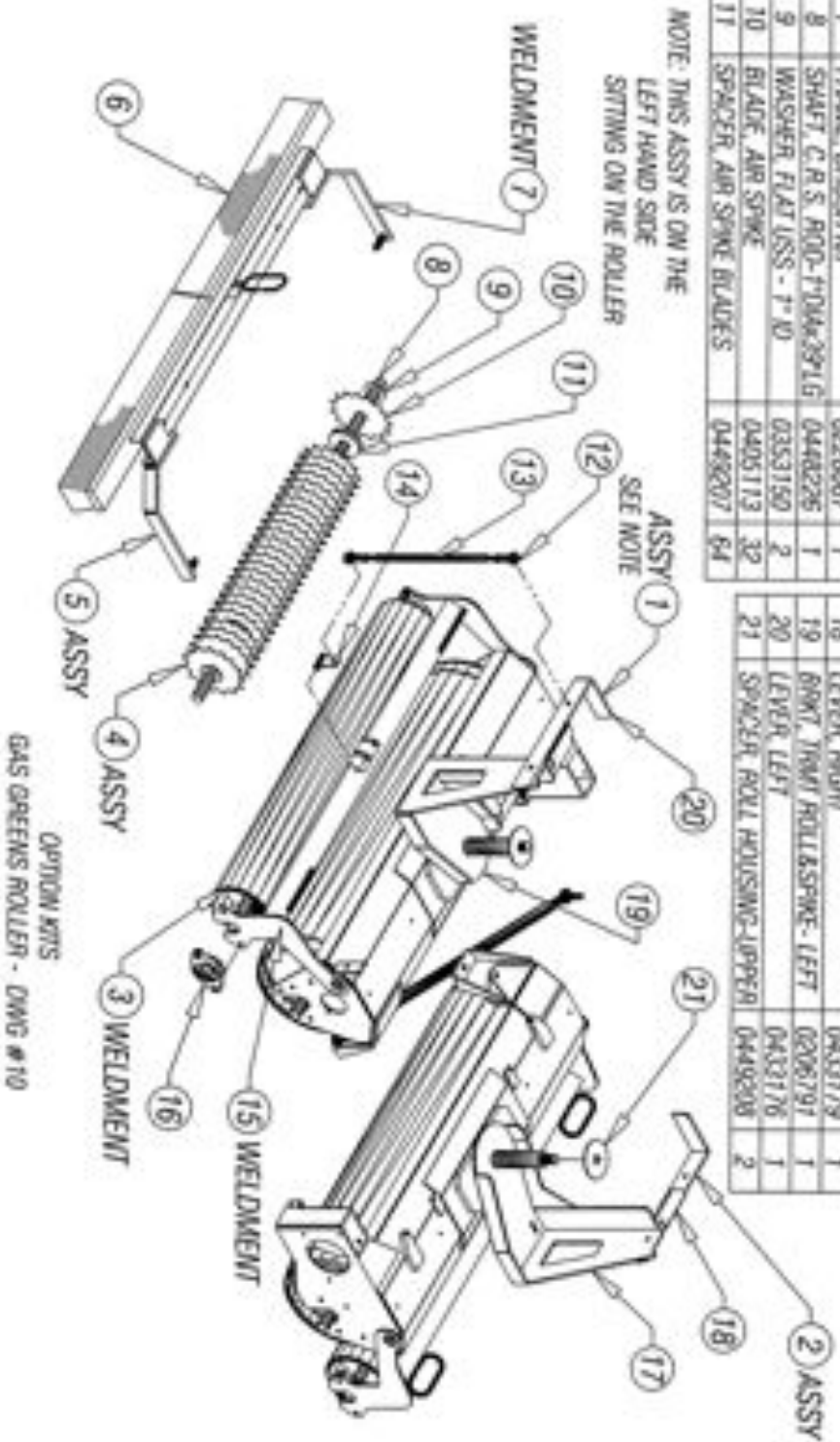


HYDRAULIC COMPONENTS, FITTINGS & HOSES
GAS GREENS ROLLER - DWG #9

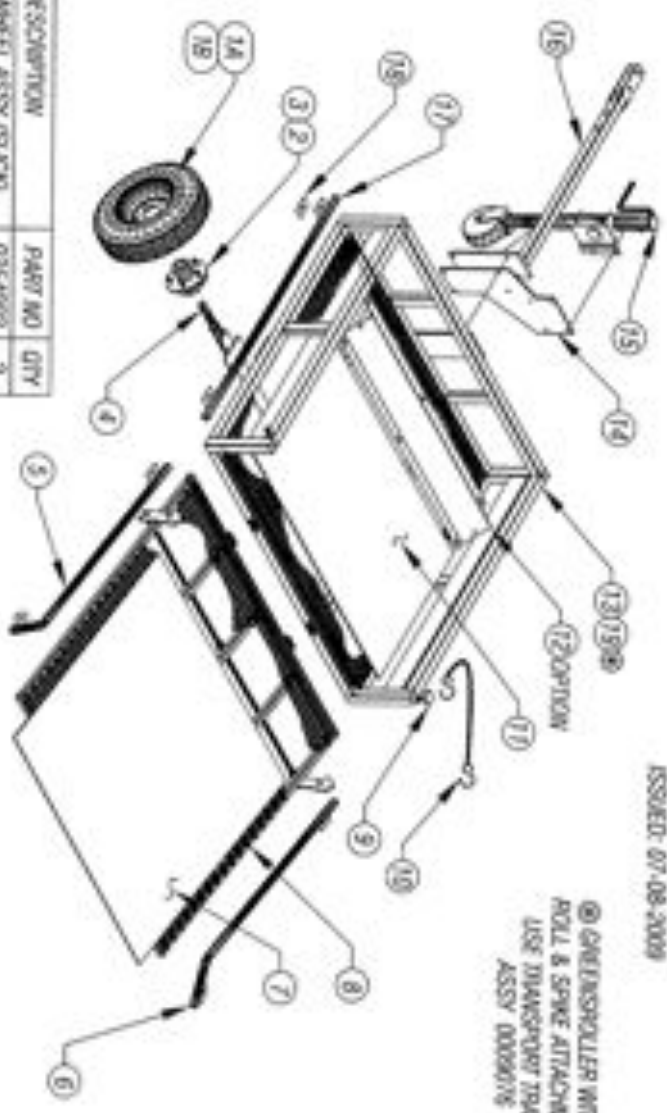
ISSUED: 07-15-2008

ITEM	DESCRIPTION	PART NO	QTY
1	KIT- ATTACHMENT FRAME, LEFT	0161223	1
2	KIT- ATTACHMENT FRAME, RIGHT	0161235	1
3	SHAFT, TOWNSHIPMENT ROLL	0248229	1
4	AIR SPIKE ASSEMBLY	0161225	1
5	BRUSH ASSEMBLY	0161041	1
6	BRUSHES	0336060	2
7	FRAME, BRUSH KIT	0226067	1
8	SHAFT, C.R.S. ROD- T10M-2916	0448226	1
9	WASHER, FLAT USS - 7" ID	0353190	2
10	BLADE, AIR SPIKE	0405113	32
11	SPACER, AIR SPIKE BLADES	0449207	64

ITEM	DESCRIPTION	PART NO	QTY
12	BEARING, ROD END	0303079	2
13	ROD, ARM LIFTING	0245158	1
14	BRKT, LIFTING ARM SWIVEL	0206783	1
15	ARM, TOWNSHIP ROLL & SPIKE	0285102	1
16	BEARING, 2-BOLT FLANGE	0303006	2
17	BRKT, TRAIT ROLL&SPIKE- RIGHT	0206789	1
18	LEVER, RIGHT	0433179	1
19	BRKT, TRAIT ROLL&SPIKE- LEFT	0206791	1
20	LEVER, LEFT	0433176	1
21	SPACER, ROLL HOUSING-UPPER	0449208	2



ISSUED: 09-16-2009



ISSUED: 07-08-2009

© GREENROLLER WITH
 ROLL & SPIKE ATTACHMENTS.
 USE TRANSPORT TRAILER
 ASSY 0009016

ITEM	DESCRIPTION	PART NO	QTY
1A	TIRE & MOUNT ASSY (OPTION)	03544002	2
1B	TIRE & MOUNT ASSY (STANDARD)	03544000	2
2	HAUL ASSEMBLY	03290002	2
3	LOG NOT	03383006	10
4	AXLE	02000014	1
5	GLIDE TAILGATE ROLL - LEFT	00221172	1
6	GLIDE TAILGATE ROLL - RIGHT	00221173	1
7	RUBBER MAT. (TAILGATE)	00390043	1
8	TAILGATE	02190171	1
9	CAP (PLASTIC)	0371001	4
10	RUNWEG CORO	03000112	1
11	RUBBER MAT. (BOX)	00390041	1

SIN 2139 & BELOW
 SIN 2140 & UP

TRANSPORT TRAILER ASSY
 0000014
 AND
 TRANSPORT TRAILER ASSY
 0009016
 GAS GREENS ROLLER
 DWG #11

ITEM	DESCRIPTION	PART NO	QTY
12	STOP ROLLER MOUNTING	04020066	1
13	TRAILER FRAME	02193172	1
14	PLATE JACK MOUNTING	04024110	1
15	JACK, SWIVEL, WITH CASTER	00090047	1
16	TONGUE	02250011	1
17	GLIDE TRAILER ROLL	00221171	2
18	CLAMP PLATE	04025085	8
19	TRAILER FRAME	02194417	1